

# ecoheat 1CER2000W (2.0kW)

## User Manual

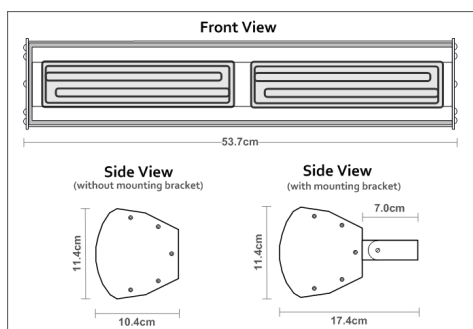


### General

Your Eco Heat heater has been designed using the latest in technology. With normal care and maintenance, your heater will provide years of satisfactory performance. The heater is designed to be wall mounted and cannot be mounted upside down (ceiling).

This heater has been designed for use on 230 V circuits. Do not use it in areas where a standard voltage of 230 V is not provided.

If, after reviewing this guide, you require additional information or assistance please contact Eco Heat Equipment at [info@ecoheat.co.za](mailto:info@ecoheat.co.za), +27 (0)861 999 887, or [www.ecoheat.co.za](http://www.ecoheat.co.za).



### Technical Specifications

- Power consumption: 2000W
- Dimensions: 53.7cm(L) x 10.4cm\*(W) x 11.4cm(H) (\* excludes mounting bracket)
- Indoor heat coverage area:  $\pm 15 \text{ m}^2 - 20 \text{ m}^2$
- Outdoor (covered) coverage area  $\pm 12 \text{ m}^2$
- Power density:  $\pm 75 \text{ W per m}^2$  to  $100 \text{ W per m}^2$
- Electrical Classification: class I device
- Input: 230 V, 50 Hz

### Safety

Any use not recommended by the manufacturer may cause fire, electrical shock or injury to persons.

- This heater is hot when in use, to avoid burns, do not let bare skin touch it.
- The heater must not be used if the ceramic elements are damaged.
- Keep combustible materials such as furniture, pillows, bedding, clothes and curtains at least 1.5 m away from the heater.
- Do not cover or hang anything over the heater as it may combust.
- Fire risk exists if heater is covered or positioned incorrectly.
- Never leave the heater unattended while in use.
- Always turn the heater off when it is not in use.
- Avoid using an extension cord as this may overheat and cause a risk of a fire. If an extension cord must be used, make sure it is rated for 16 A.
- To move the heater, switch heater off and let it cool for at least 15 minutes.
- Never locate the heater where it might fall into a bathtub or other water container.
- If the heater is to be used in a bathroom, the heater is to be installed so that switches and other controls cannot be touched by a person in the bath or shower.
- Do not insert foreign objects past the heater's elements. The elements are extremely hot and the risk of electrical shock under fault conditions exists.
- Do not use the heater in rooms with explosive gas (e.g., petrol) or while using flammable substances.

### Safety (continued)

- Keep the mains cord at a safe distance from the main body of the heater.
- Do not run the cord of the heater under carpeting. Do not cover the cord with throw rugs, runners or other floor coverings. Arrange the cord away from traffic areas where it will not be tripped over.
- This appliance is not intended for use by persons (including children) with reduced physical, sensory or mental capabilities, or lack of experience and knowledge, unless they have been given supervision or instruction concerning use of the appliance by a person responsible for their safety.
- Children should be supervised to ensure that they do not play with the appliance.
- If the supply cord is damaged, it must be replaced by the manufacturer, its service agent or similarly qualified persons in order to avoid a hazard.

### Mounting/Installation

Your box should contain the following items:

- One 1CER2000W heater
- One wall mounting bracket (attached to heater)

#### Step 1 – Heater positioning

- Install the heater 1.8 m to 2.3 m above the floor.
- A minimum unobstructed distance (minimum clearance) of 300 mm must be maintained between the heater and any object that may affect the operation or safety of the heater.
- Mount/place the heater where it is out of reach of small children.

#### Step 2– Wall Mounting

- The wall mounting structure and the anchoring provisions must be of sufficient strength to support the weight of the heater, elements and all accessories.
- Attach the heater to the wall with screws/bolts using the hole/s provided in the wall mounting bracket.

### Electrical Installation

All wiring must be done in accordance with National and Local Electrical Codes and Standards.

The heater operates from a normal 15 A 3 pin socket outlet on earth leakage on a 230 V system, or connects directly on a 230 V, 2-pole isolator on earth leakage.

### Operation

The heater will automatically start working once it has been connected to the correct 230 V power source.

Radiant heat will be felt in front of the reflector after about 30 seconds, and continue to increase in intensity for 2-3 minutes.

### Infrared Radiation

The heater uses infrared radiation to heat objects. Do not stare into the heater for prolonged periods at a short distance without adequate eye protection as this may cause damage to the eyes. Take adequate precautions to safeguard against excessive exposure, such as moving further away from the heater or switching the heater off when heat becomes uncomfortable.

### Maintenance

The heater contains no user serviceable parts. The elements should last in excess of 10 000 hours.

If the heater has not been in use for a while, ensure it is disconnected from the power source. Dust the elements with a soft duster to remove excess dust. This should prevent odors after first use.

Heaters installed near the ocean and along the coast would require cleaning at least once every three months to clean off the salt build up. Do not spray water onto the element. Use a soft damp cloth to wipe the elements. Do NOT use the heater for at least 24 hours to ensure that it is dry.

### Cleaning

Clean the outside of the heater only when it is

disconnected from the power source and cool. If it has been in operation, switch off and wait for at least 15 minutes.

Carefully wipe the exterior of the heater with a soft damp cloth and dry thoroughly with a dry cloth. Do not use harsh or abrasive cleaners to clean your heater, as these may damage the surface.

Do not let the inside of the heater get wet as this may cause a risk of electrical shock.

### Recycling

Please recycle all packaging material that came with the heater.

If you are replacing an old heater, please go to [www.ewasa.org](http://www.ewasa.org) or contact Eco Heat for information on responsible disposal or recycling.

### Warranty

**DUE TO LOADSHEDDING THERE IS A THREE (3) MONTH WARRANTY ON THE ELEMENTS**

Please keep your original receipt, as this will be required for any claims under this warranty.

The warranty covers workmanship, materials and is limited to the purchase price of the heater.

The warranty does not cover:

- damage from misuse,
- power surges
- water damage, exposure to water
- neglect or abuse,
- products that have been modified in any way,
- product that's been installed incorrectly,
- shipping and handling cost associated with the replacement of the product.

For more information, view the Returns / Refund Policy at [www.ecoheat.co.za](http://www.ecoheat.co.za).

### Trouble shooting

If the heater is plugged into a live 230 V power source and no heat is felt after 3-4 minutes the heater may be faulty.

Try ONE of the following:

- Ensure the power source is working.
- Unplug the heater and have a certified electrician test the electrical circuitry. If the circuitry is in working order, the elements might need replacement.

Contact Eco Heat Equipment for a replacement element.

### Replacement parts

Replacement elements can be ordered at [www.ecoheat.co.za](http://www.ecoheat.co.za).



Due to minor improvements in design or otherwise, the product you buy may differ from the one shown in this leaflet. For more information or advice on this or any other Eco Heat Equipment products, visit [www.ecoheat.co.za](http://www.ecoheat.co.za) or phone +27 (0)861 999 887.

**PLEASE NOTE: HEATERS THAT HAVE BEEN INSTALLED CAN NOT BE RETURNED FOR A REFUND OR EXCHANGE**